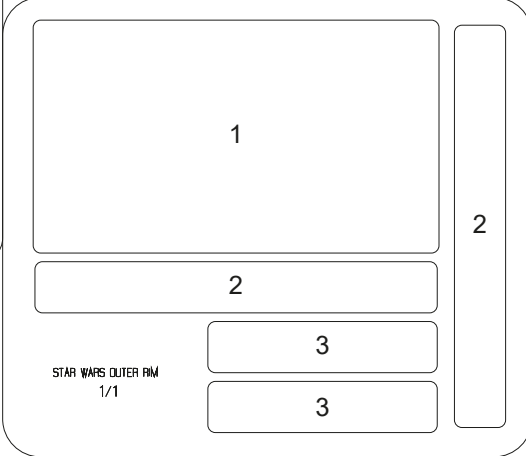
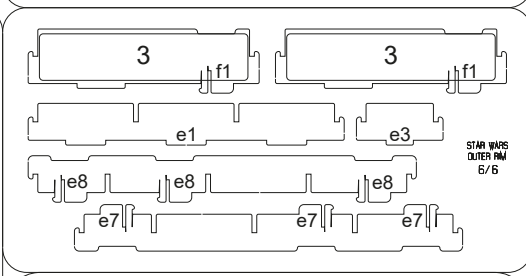
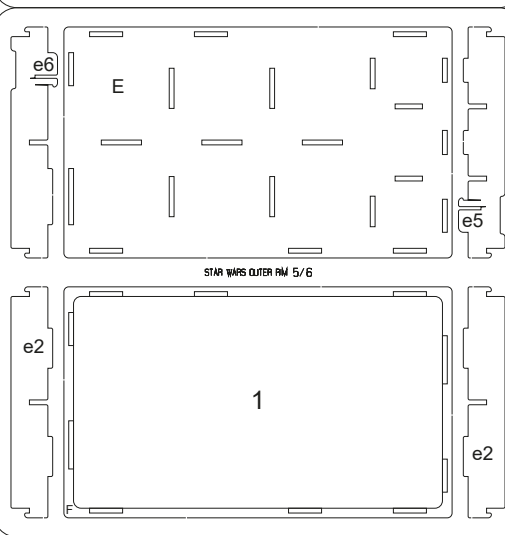
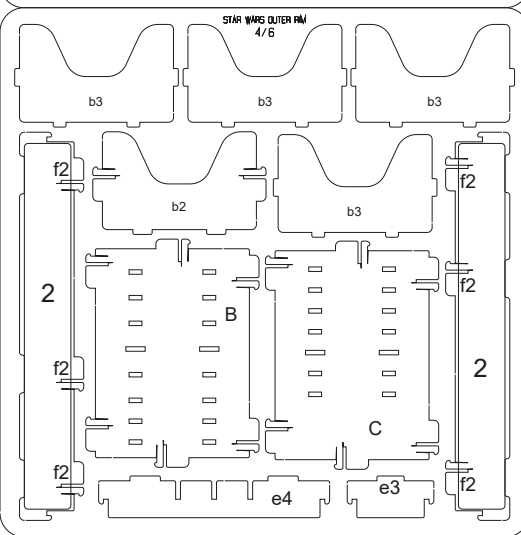
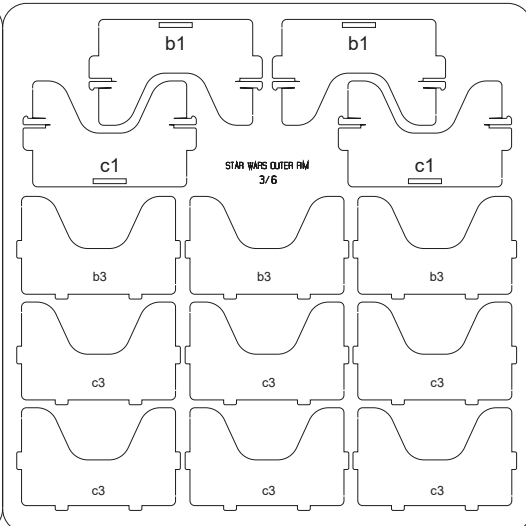
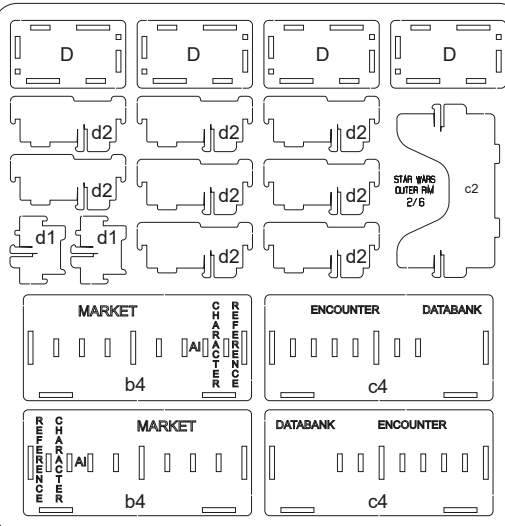
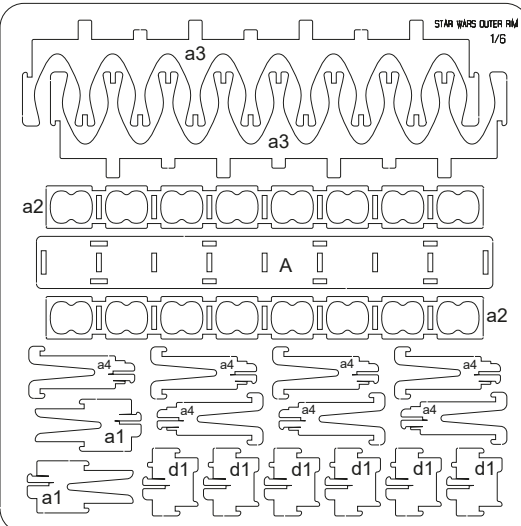
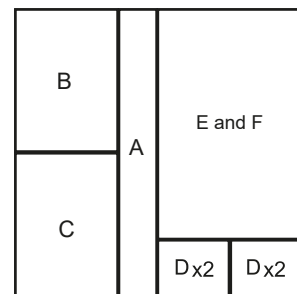
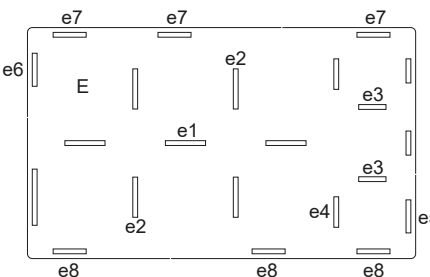
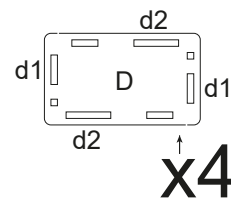
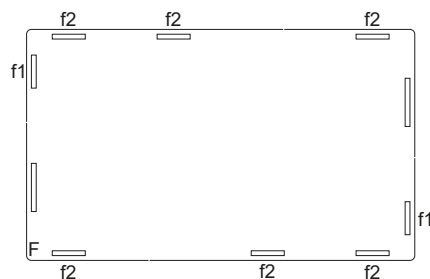
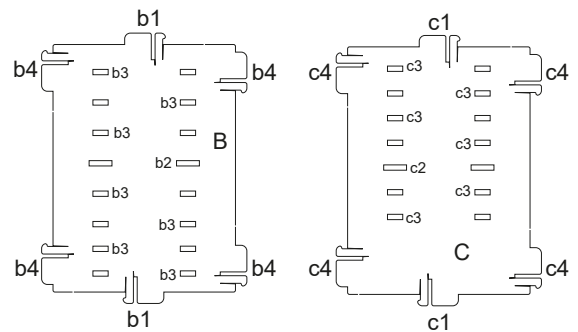
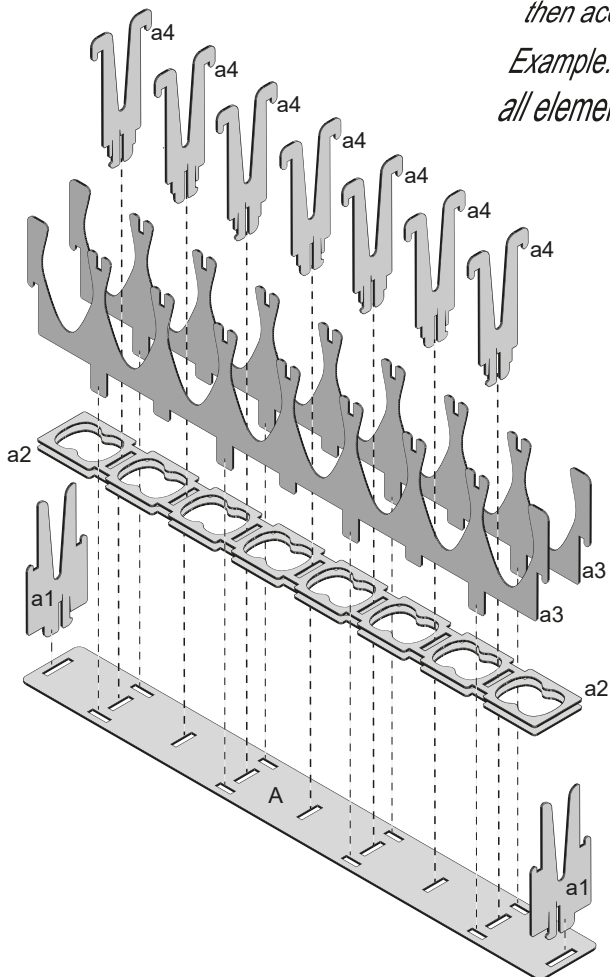


Please remove elements out of frame carefully.



Assemble based on base element letter then according to numbers from first to last.

Example: while assembling A start by inserting all elements a1 into base element A, then all elements a2 and so on.



basic box configuration

Compatible with the game:
STAR WARS OUTER RIM