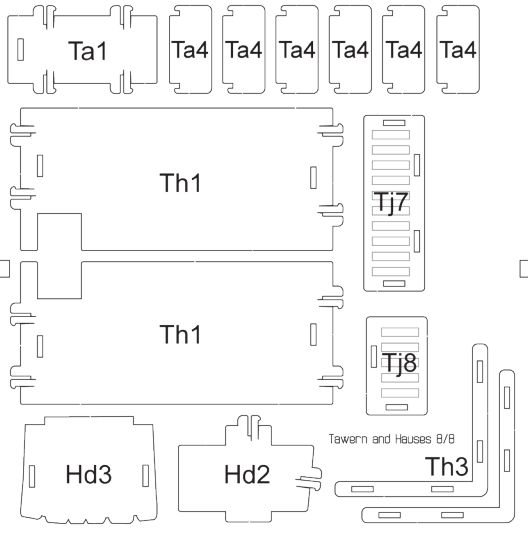
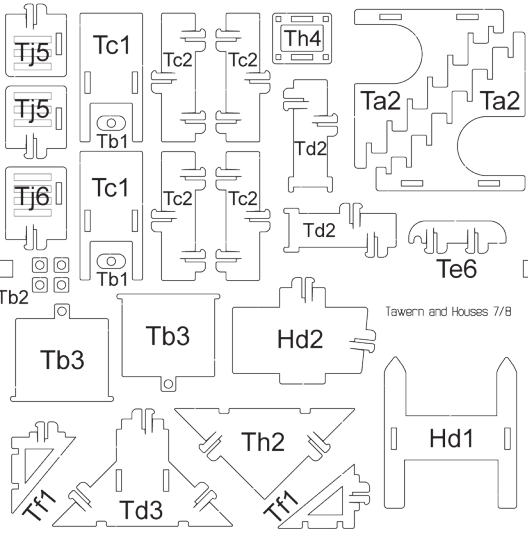
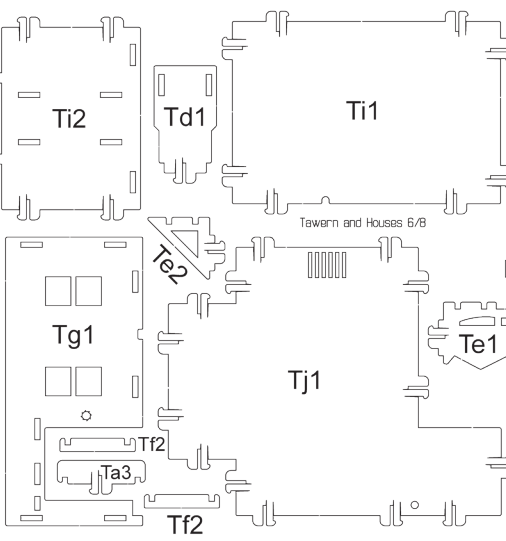
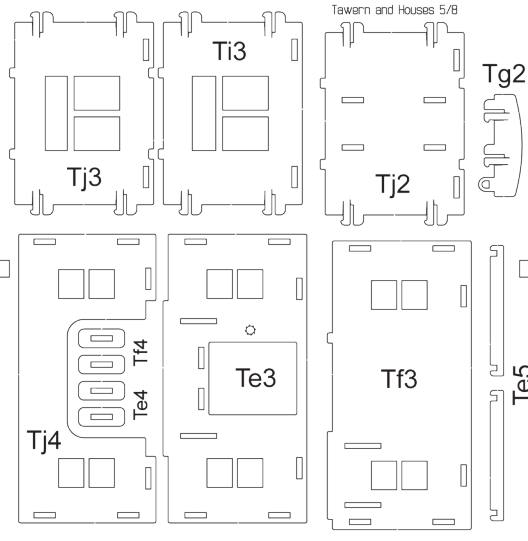
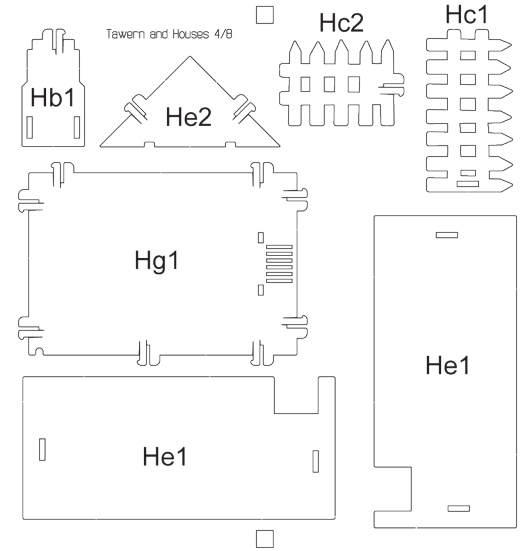
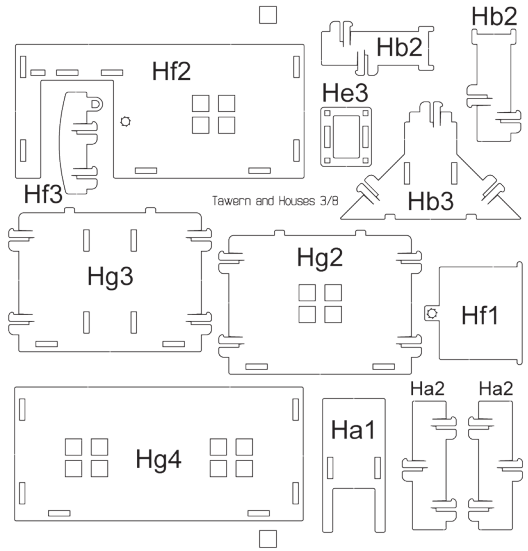
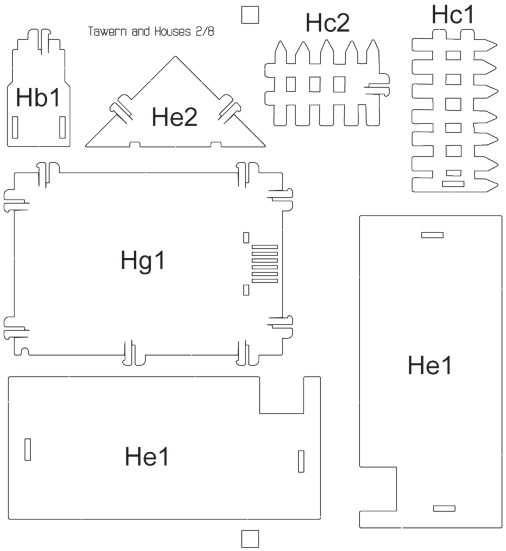
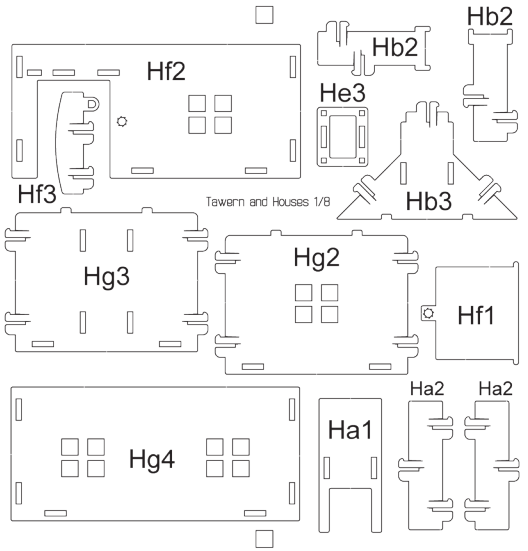


Please remove elements out of frame carefully.

Assemble based on element letter.
Then from number first to last.

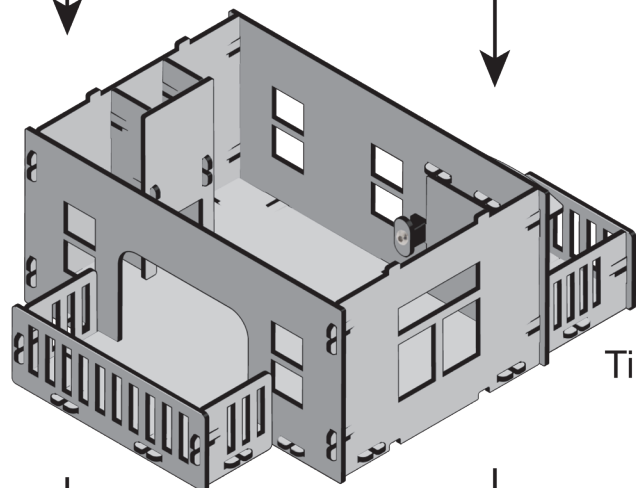
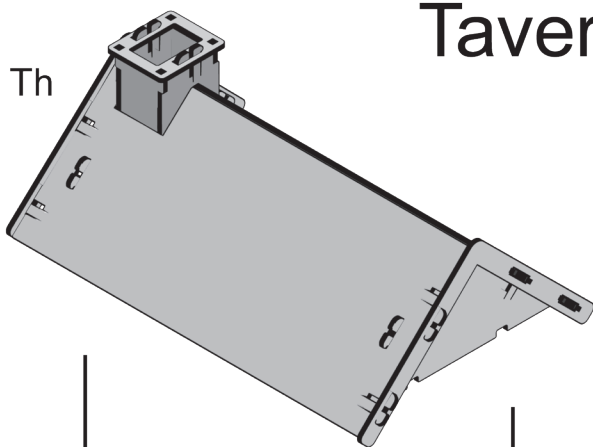


Fantasy Village - Tavern & Houses

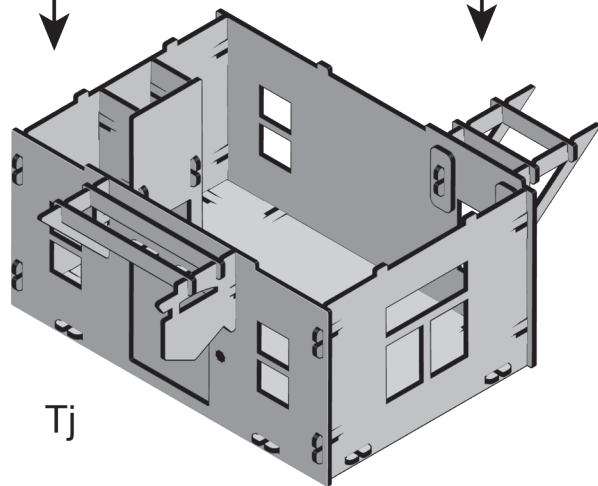


Tavern

Th

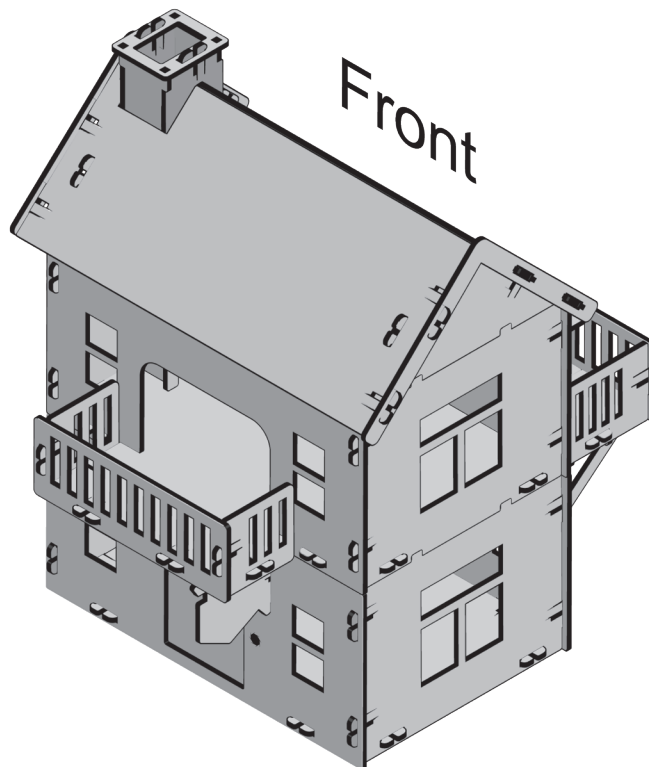


Ti

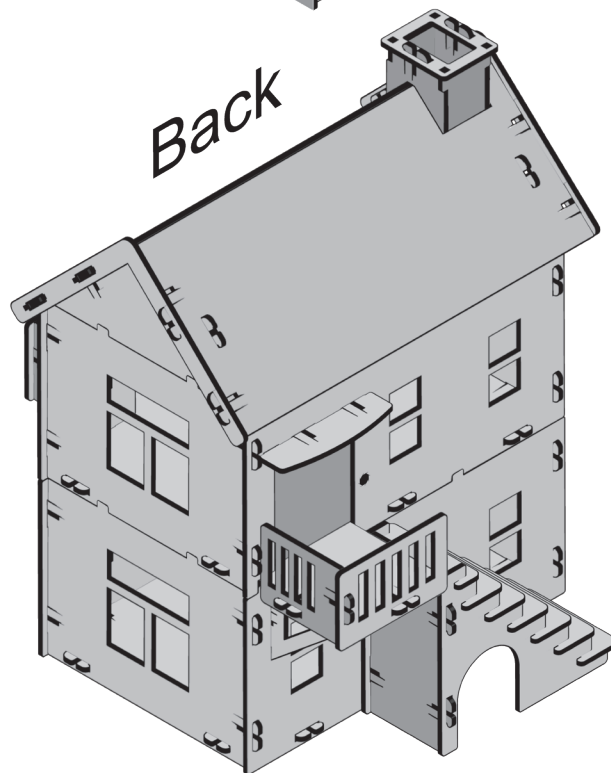


Tj

Front

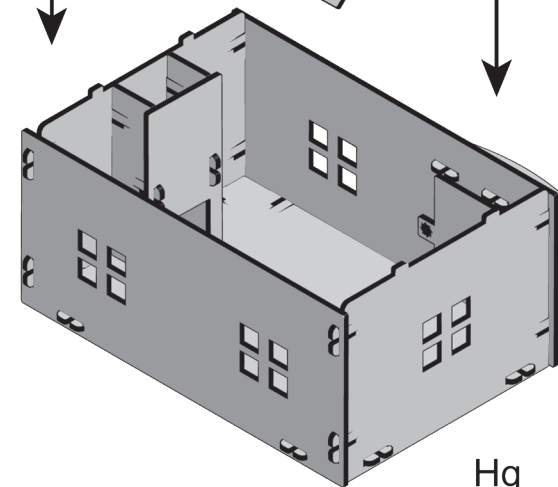
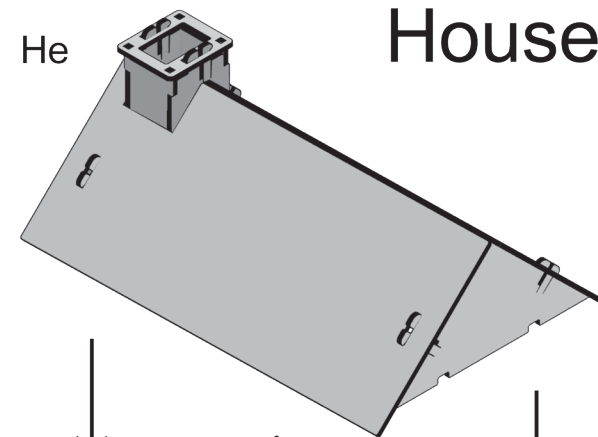


Back

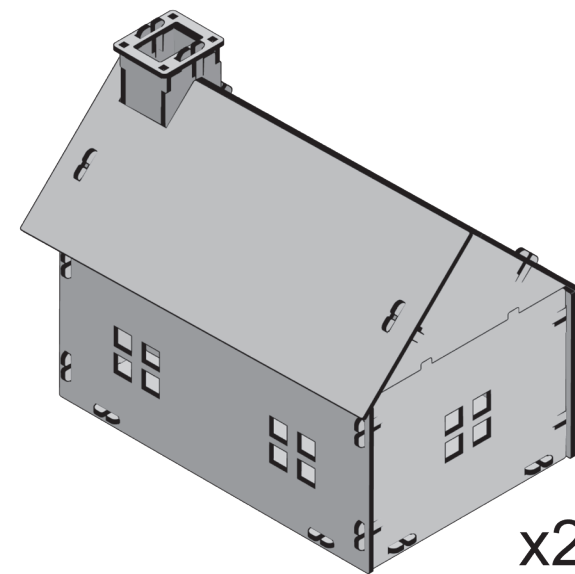


Houses

He



Hg



x2

