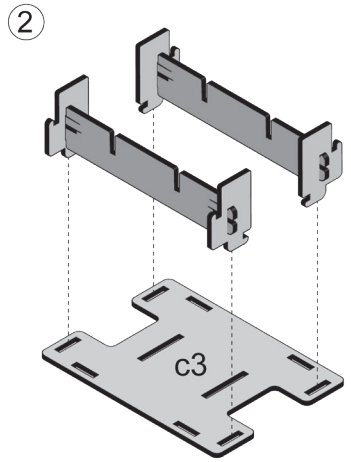
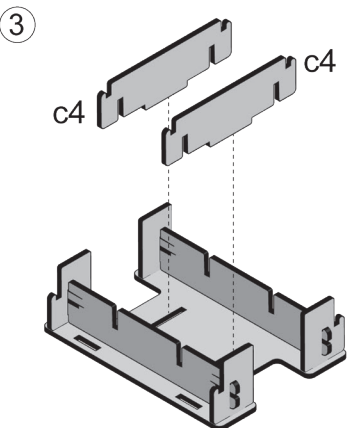


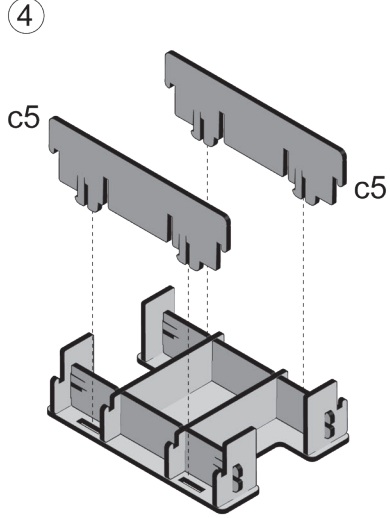
①



②



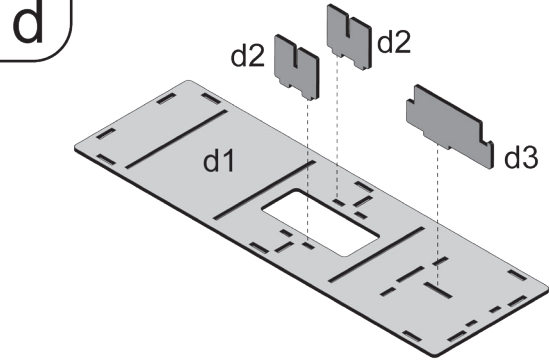
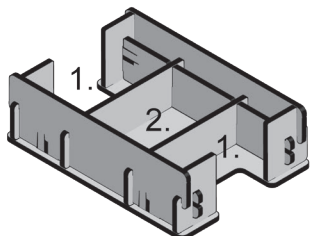
③



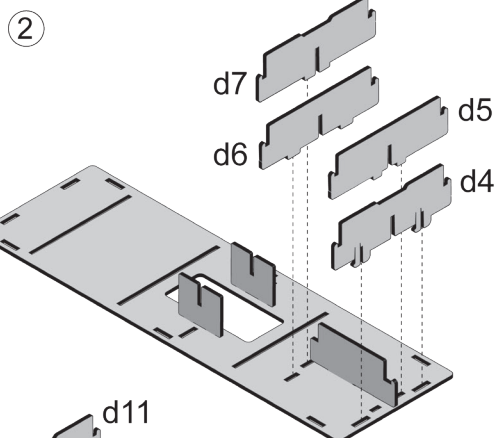
④

- 1. Starting wealth tiles
- 2. Crystal skulls

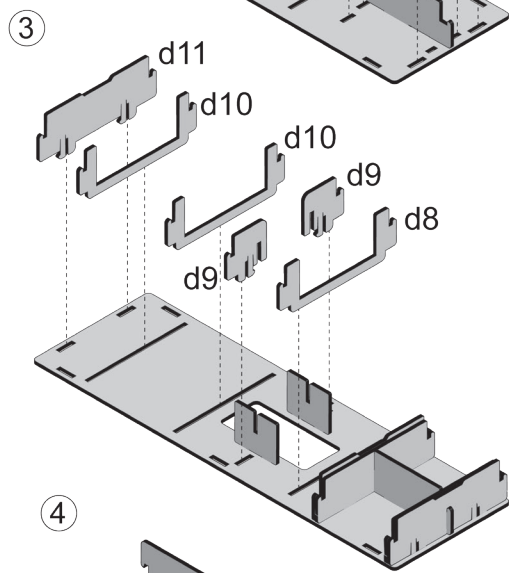
⑤



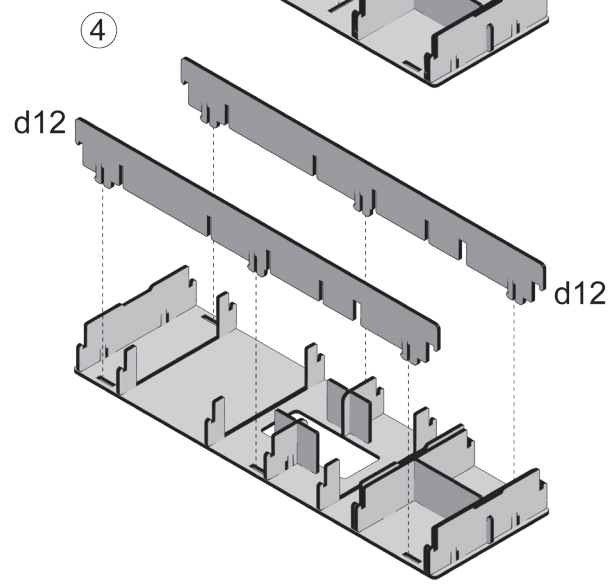
d



②



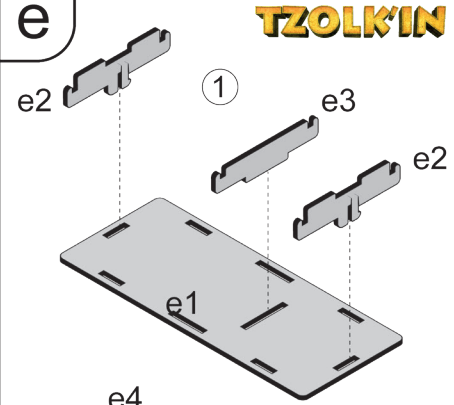
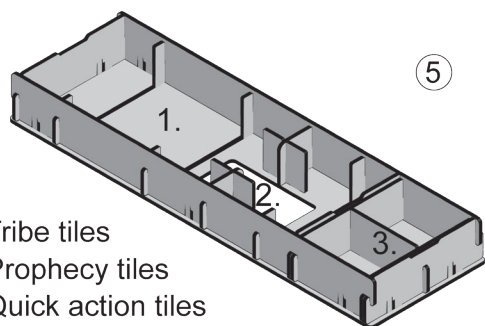
③



④

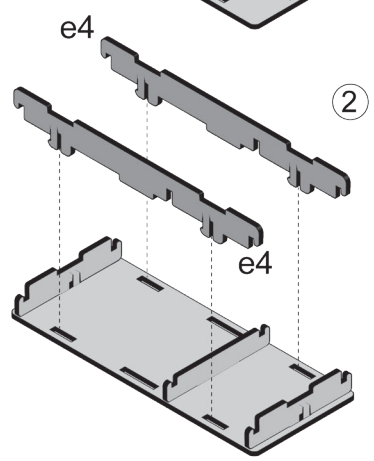
- 1. Tribe tiles
- 2. Prophecy tiles
- 3. Quick action tiles

⑤



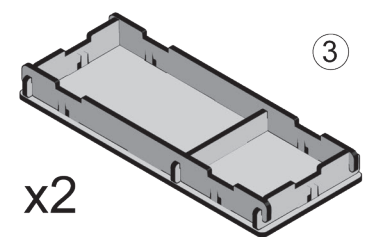
e

TZOLK'IN



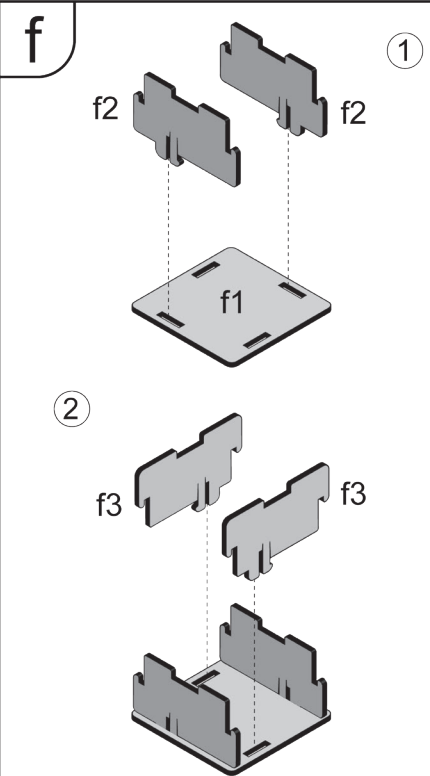
②

Corn tokens and harvest tiles



③

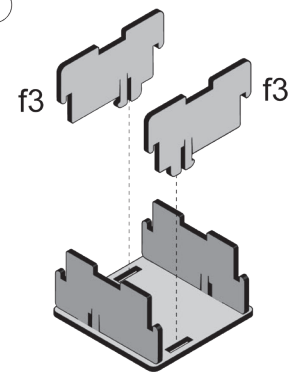
x2



f

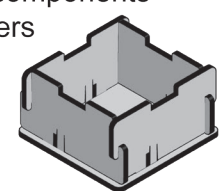
①

②

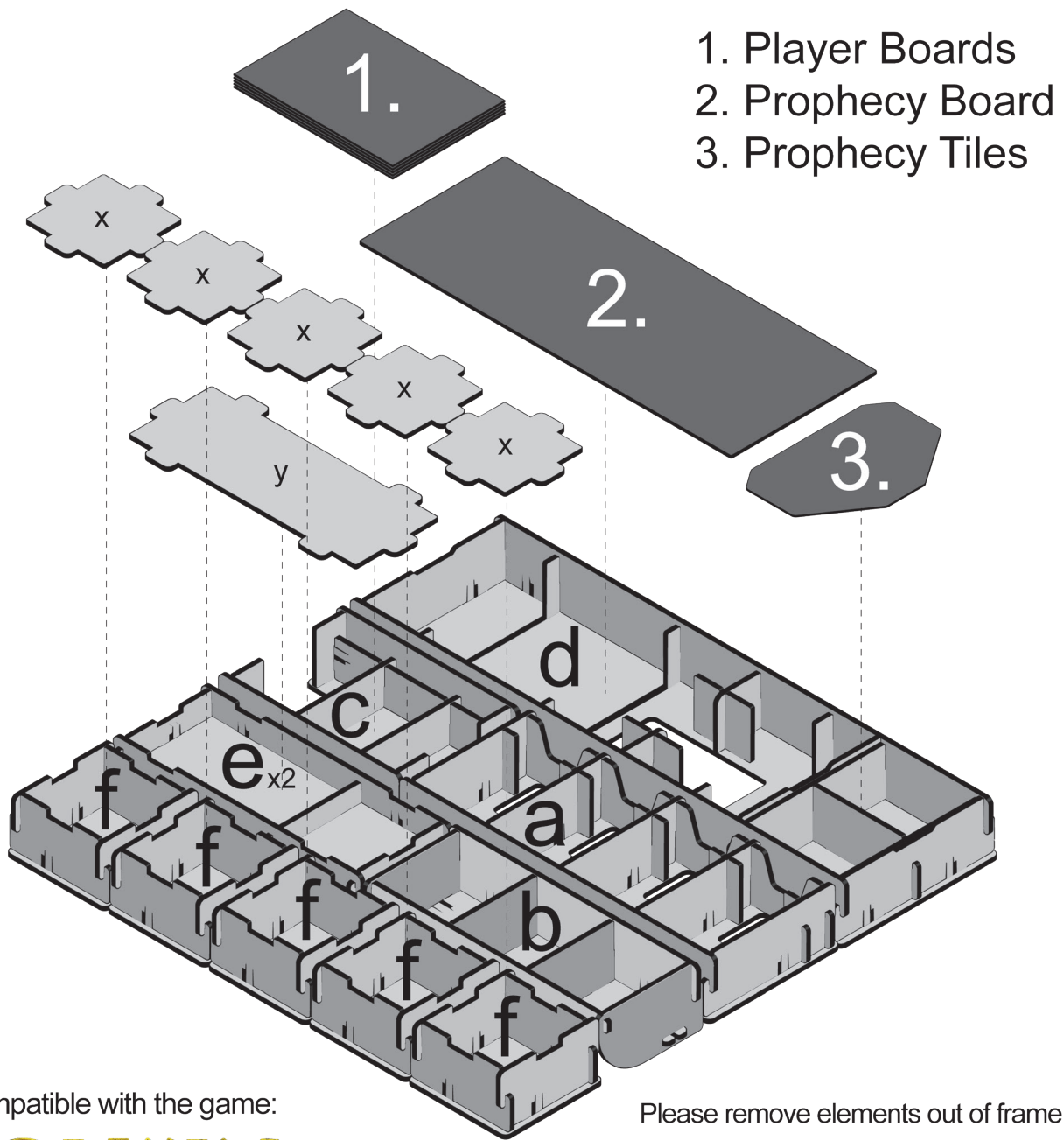


Wooden components for a players

③



x5



1. Player Boards
2. Prophecy Board
3. Prophecy Tiles

Insert compatible with the game:

TZOLK'IN

The Mayan Calendar

+

Tribes & Prophecies

Please remove elements out of frame carefully.

It is recommended to use a blade at the cutline to punch the element out of the sheet easier.

Assemble based on element letter.
Then from number first to last.

